

**Grizzly**  
coolers

1712 Moellers Drive Decorah, IA 52101 P: (563)-382-9636 F: (563)-382-3016

[www.grizzlycoolers.com](http://www.grizzlycoolers.com)



**Grizzly**  
coolers

**2016 Catalog**



# Grizzly coolers

The Grizzly name is more than just a label on a lid. It can be found in the memories of an adventure long since passed, or forged in the achievements of tomorrow. It's an inheritance that can be passed down from generation to generation whose value will only strengthen with age. The Grizzly name stands on the pillars of durability, longevity, and adaptability. Constantly on the move, we keep our sights set on the future, but utilize the success of the past to bring you a cooler that is a perfect culmination of the two mindsets; permanence and performance.

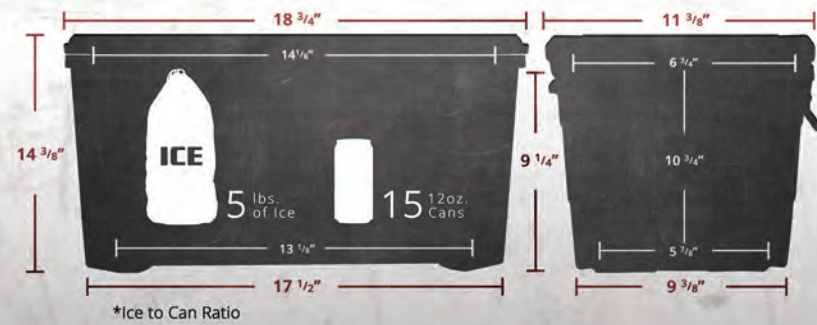
Proudly envisioned, engineered, tested, and perfected in the U.S.A., our oath to you is **FOR A LIFETIME**. We stand by our products with a Lifetime Warranty and a Bear-Proof Certification from the Interagency Grizzly Bear Committee.





# Grizzly 15

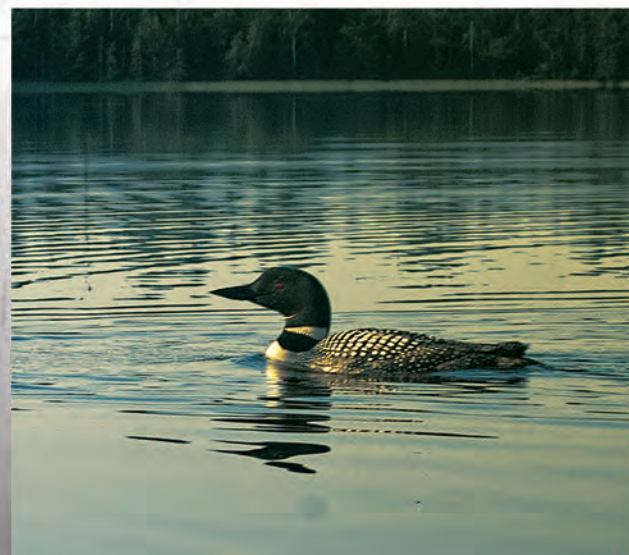
coolers



- Molded-In Heavy Duty Handles and Hinges
- BearClaw™ Latching System
- Easy Going Mobility with Nylon Shoulder Strap
- Embossed Ruler on Lid
- Includes Dry Goods Tray
- True 15 qt. Capacity
- 12 lb. Dry Weight



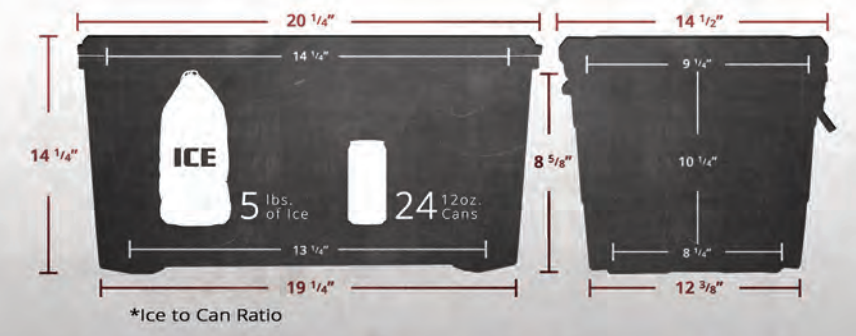
\* See Licensing Page for Details \*





# Grizzly 20

coolers



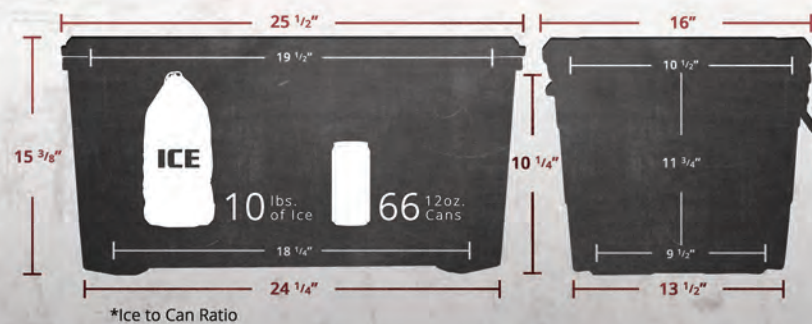
- Molded-In Heavy Duty Handles and Hinges
- BearClaw™ Latching System
- 2" Drain Plug for Quick and Easy Draining
- Embossed Ruler on Lid
- Stainless Steel Handle
- Includes Dry Goods Tray
- True 20 qt. Capacity
- 16 lbs. Dry Weight



\* See Licensing Page for Details \*



# Grizzly 40 coolers



- Molded-In Heavy Duty Handles and Hinges
- Nylon Rope Handle with Sleeved Rubber Grip
- BearClaw™ Latching System
- 2" Drainage System with Full length Drain Channels
- Embossed Ruler on Lid
- Includes Dry Goods Tray
- True 40 qt. Capacity
- 24 lbs. Dry Weight

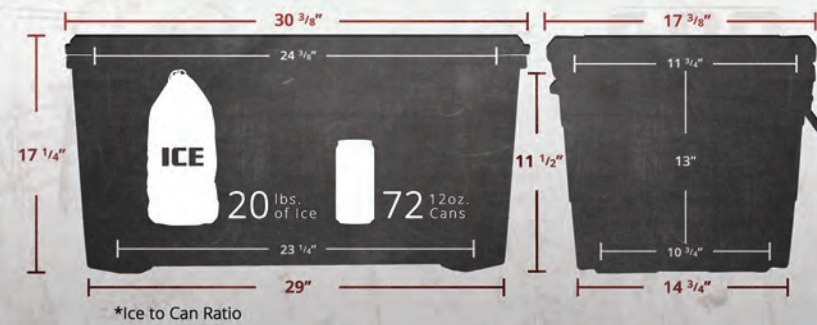


\* See Licensing Page for Details \*





# Grizzly 60 coolers



\*Ice to Can Ratio



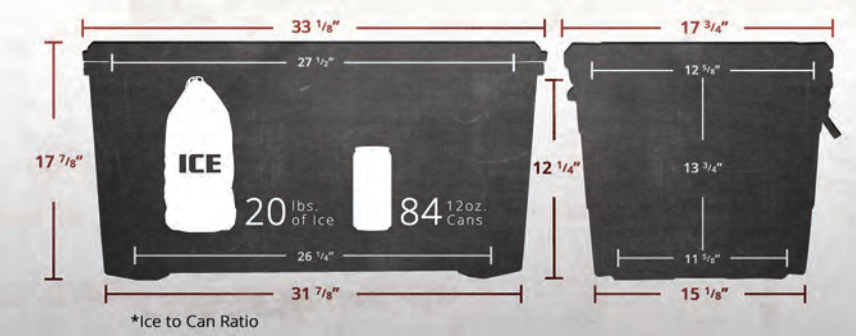
\* See Licensing Page for Details \*

- Molded-In Heavy Duty Handles and Hinges
- Nylon Rope Handle with Sleeved Rubber Grip
- BearClaw™ Latching System
- 2" Drainage System with Full length Drain Channels
- Embossed Ruler on Lid
- Includes Dry Goods Tray
- True 60 qt. Capacity
- 30 lbs. Dry Weight





# Grizzly 75 coolers



- Molded-In Heavy Duty Handles and Hinges
- Nylon Rope Handle with Sleeved Rubber Grip
- BearClaw™ Latching System
- 2" Dual Drains with Full length Drain Channels
- Embossed Ruler on Lid
- Includes Dry Goods Tray
- True 75 qt. Capacity
- 34 lbs. Dry Weight



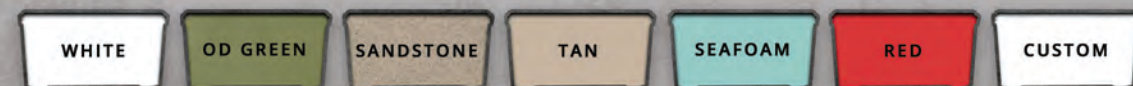
\* See Licensing Page for Details \*

# Grizzly coolers



Grizzly Coolers encompass a wide range of special features surrounded by meticulous design that pushes our products to the forefront of the cooler industry. Made from RotoTough™ UV Stable Polyethylene, our coolers are certified as bear resistant by the Interagency Grizzly Bear Committee.

All Grizzly Coolers are made right here in the U.S.A. by outdoor enthusiasts who have a passion for manufacturing only the best of products, which is matched by our Lifetime Warranty against any manufacturing defects ensuring that any Grizzly Cooler will be **FOR A LIFETIME.**



Available in a wide variety of colors, our coolers are adaptable to your style and needs.

\* NOTE: Not all colors are available in every cooler, see individual product page for details\*



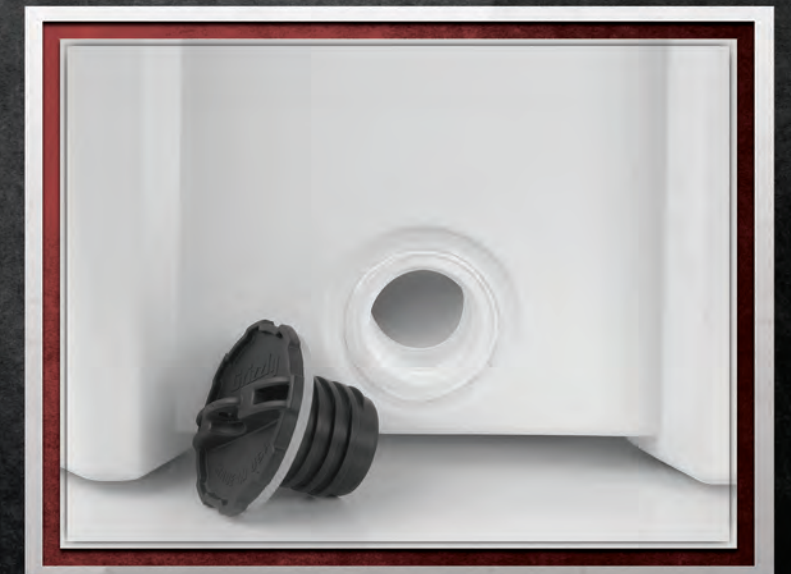
BearClaw™ Latch Requires No Hardware



Durable Molded-In Hinges



Dual Handle System

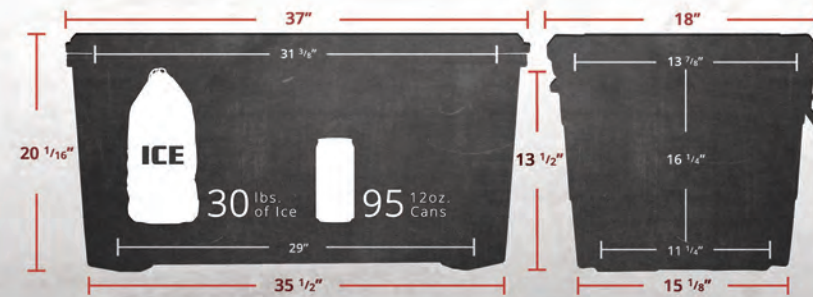


2" Drain





# Grizzly 100 coolers



\*Ice to Can Ratio

- Molded-In Heavy Duty Handles and Hinges
- Nylon Rope Handle with Sleeved Rubber Grip
- BearClaw™ Latching System
- 2" Dual Drains with Full length Drain Channels
- Embossed Ruler on Lid
- Includes Dry Goods Tray
- True 100 qt. Capacity
- 38 lbs. Dry Weight

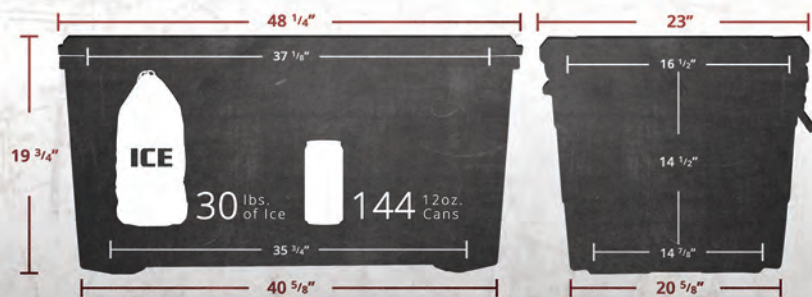


\* See Licensing Page for Details \*



# Grizzly 150

coolers



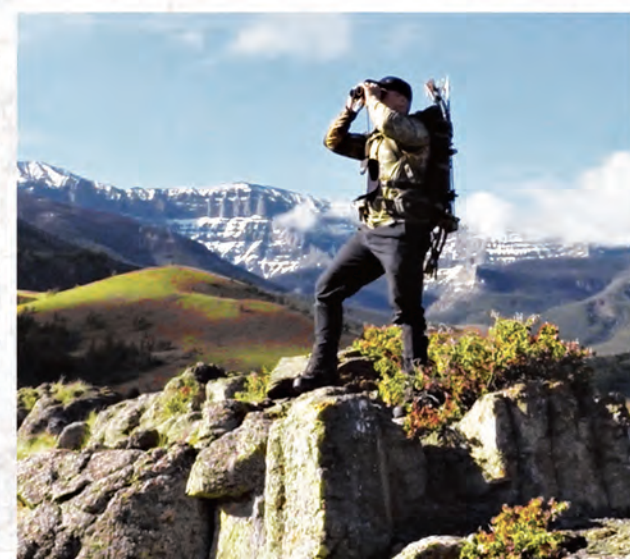
\*Ice to Can Ratio, Measurement Includes Handles

- Molded-In Heavy Duty Handles and Hinges
- BearClaw™ Latching System
- 2" Drainage System with Full length Drain Channels
- True 150 qt. Capacity
- 56 lbs. Dry Weight



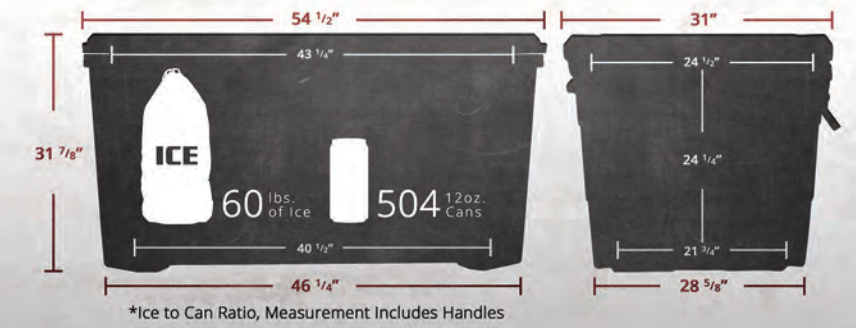
\* See Licensing Page for Details \*





# Grizzly 400

coolers



- Molded-In Heavy Duty Handles and Hinges
- BearClaw™ Latching System
- 2" Drainage System with Full length Drain Channels
- Base Designed with 2 Fork Lift Pockets
- Can Hold up to 3 Quartered Elk
- True 400 qt. Capacity
- 91 lbs. Dry Weight



# Grizzly

CUSTOM COOLERS

Each custom feature is executed with the same high standards as the rest of the Grizzly lineup. Great for gifts, promotional items, corporate advertising, sponsorships and much more. Leave a positive impression on anyone who lays eyes on your Grizzly Cooler, using any or all of these processes. Visit [www.grizzlycoolers.com](http://www.grizzlycoolers.com) for more information.

## Custom Debossed Lid



- Available on Models G15-G40

- Permanent Lid Branding

- Set-Up Fee Required



## Custom Color Matching

- Available on Models G15-G75
- Any Color Scheme or Unique Shade
- Minimums Apply



## Custom Mold On Graphic

- Available on Models G15-G400
- Vibrant, Permanent Branding on Lid or Body
- Set-Up Fee Required



## Custom Adhesive Graphic

- Available on Models G15-G150
- Full-Color, UV Resistant Graphics
- Tough, Scratch Resistant Textured Laminate
- No Minimum, No Set-Up Fee



# Grizzly

LICENSED COOLERS



Grizzly Coolers are now available in five different licensed customizations. We have teamed up with Realtree®, Mossy Oak®, Lost Camo®, Hoyt®, and Ram® to bring you the best in custom designed coolers. The new customizations accurately represent the ruggedness and dependability that Grizzly has grown to represent.

\* Note: Not all coolers are available in every license. See individual pages for details.\*



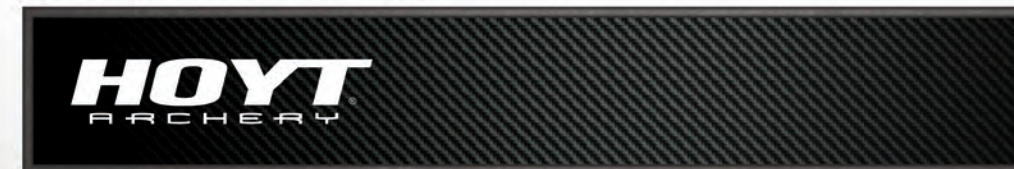
\*Realtree: Available in Adhesive Graphics\*



\*Mossy Oak: Available in Adhesive Graphics\*



\*Lost Camo: Available in Adhesive Graphics\*



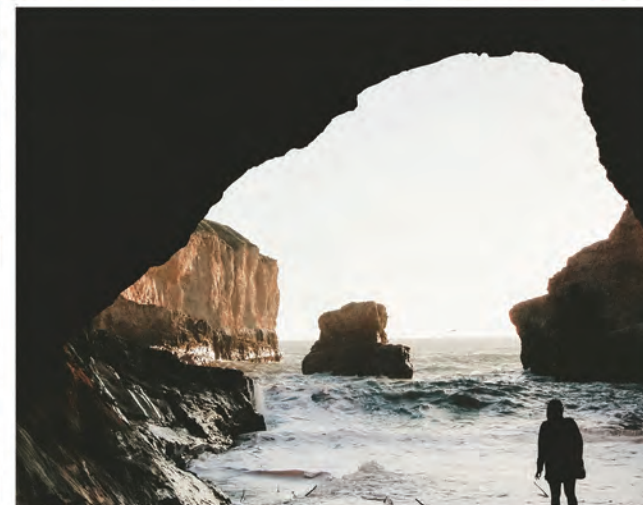
\*Hoyt Archery: Available in Adhesive Graphics \*



\*Ram: Available in Debossed Lid\*

Our **ADHESIVE GRAPHIC** has a non-skid surfacing that is rated for up to three years of outdoor use without fading.

\* Note: Not all coolers are available in every license. See individual pages for details.\*



20oz.

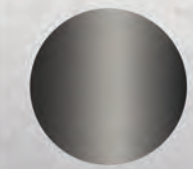


32oz.

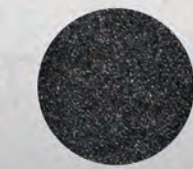


# Grizzly gear

The durable stainless steel GRIP CUP has been optimized to keep your favorite beverages at their ideal drinking temperature. Our Grip Cup has been engineered to be unmatched in ice retention as well as keeping hot drinks hot.



BRUSHED STAINLESS



CHARCOAL POWDER COAT

- BPA Free
- 18/8 Stainless Steel
- Sweat Free
- Double-Wall Vacuum Insulated

## Grizzly Logo Short Sleeve T-Shirts

- Tri-Blend fabric



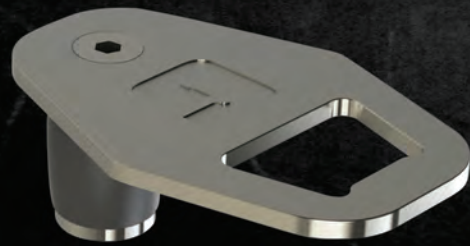
## Grizzly Trucker Hats

- Pre-curved visor  
- Full crown stitching



## Bottle Opener

- Attaches to cooler lock hole  
- Stainless Steel Construction  
- Made in USA



## Arctic Ice™ Tundra Series



Chillin' Brew™

## Frozen Divider

### Arctic Ice™ Tundra Series

- Available for Grizzly 20-100
- Freezing point of 5°F (*Freezer Temperature*)
- Non Toxic
- Made in USA

### Chillin' Brew™

- Available for Grizzly 20-100
- Freezing point of 28°F (*Beer Cave Temperature*)
- Non Toxic
- Made in USA

## Folding Cutting Board Divider

- Available for Grizzly 20-100
- Lightweight, yet durable
- Portable, multi-use
- Non-breakable
- No-Pinch hinge fold
- Odor and stain resistant
- Easy to clean
- Made in the USA



## Multicolored BearClaw™ Latch

- Customize your Grizzly Cooler with our new brightly colored latches